

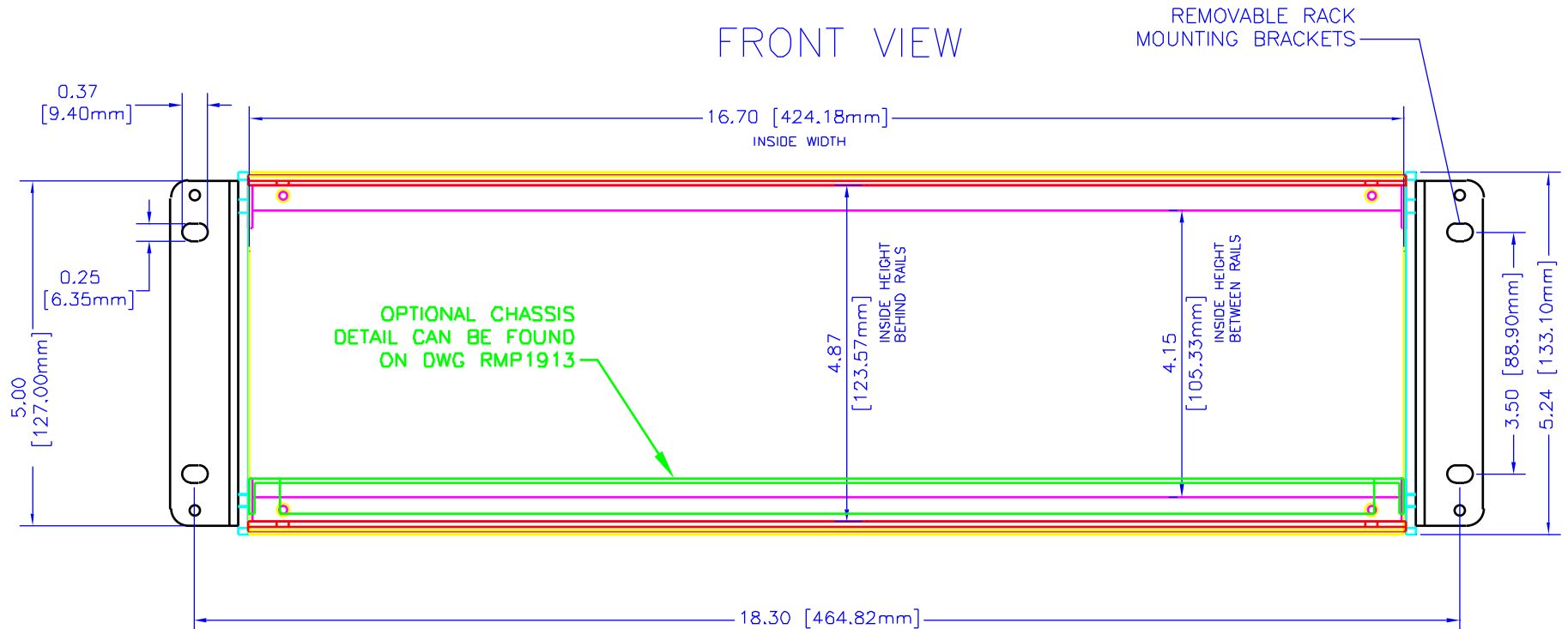
| REV | DESCRIPTION | DATE |
|-----|-------------------------------------|----------|
| A | CORRECTED RACK MOUNT BRACKET DETAIL | 06/17/01 |
| | | |
| | | |
| | | |

NOTES

MATERIAL TOP & BOTTOM 0.062" STEEL, SIDES, FRONT, REAR & HORIZONTAL SUPPORTS 0.125" ALUMINUM, DIMENSIONS ARE TAKEN WITH THE PAINTED SURFACE

FINISH TOP, BOTTOM & SIDE PANELS, TEXTURED BLACK, FRONT/REAR PANELS ON SMOOTH BLACK, ONE CONTEMPRA GRAY (RAL 7032), ALL POWDER PAINT,

FRONT VIEW



UNLESS OTHERWISE SPECIFIED
DIMENSIONS ARE IN INCHES

X +/- .1
XX +/- .02
XXX +/- .015
CUTS +/- .005
ANGLES +/- 5 DEC.



**HAMMOND
MANUFACTURING**

WEB: WWW.HAMMONDMFG.COM

TITLE HAMMOND RMCV SERIES
RACK ENCLOSURE

DRAWN BY MJM DATE 09/9/01

SCALE PAGE 1 OF 3

PART NUMBER

RMCV190513

SIDE VIEW



UNLESS OTHERWISE SPECIFIED
DIMENSIONS ARE IN INCHES

| | |
|--------|-----------|
| X | +/- .1 |
| XX | +/- .02 |
| XXX | +/- .015 |
| CUTS | +/- .005 |
| ANGLES | +/- 5 DEC |

NOTICE
HAMILTON CLAIMS PROPRIETARY RIGHTS TO
THE MATERIAL ON THIS DRAWING. IT IS
INTENDED TO BE USED AS A REFERENCE FOR
DISCUSSING INFORMATION ONLY. THIS
INFORMATION MAY NOT BE USED TO
REPRODUCE, REPLICATE, WITHOUT WRITTEN
PERMISSION FROM HAMILTON MANUFACTURING.



**HAMMOND
MANUFACTURING**

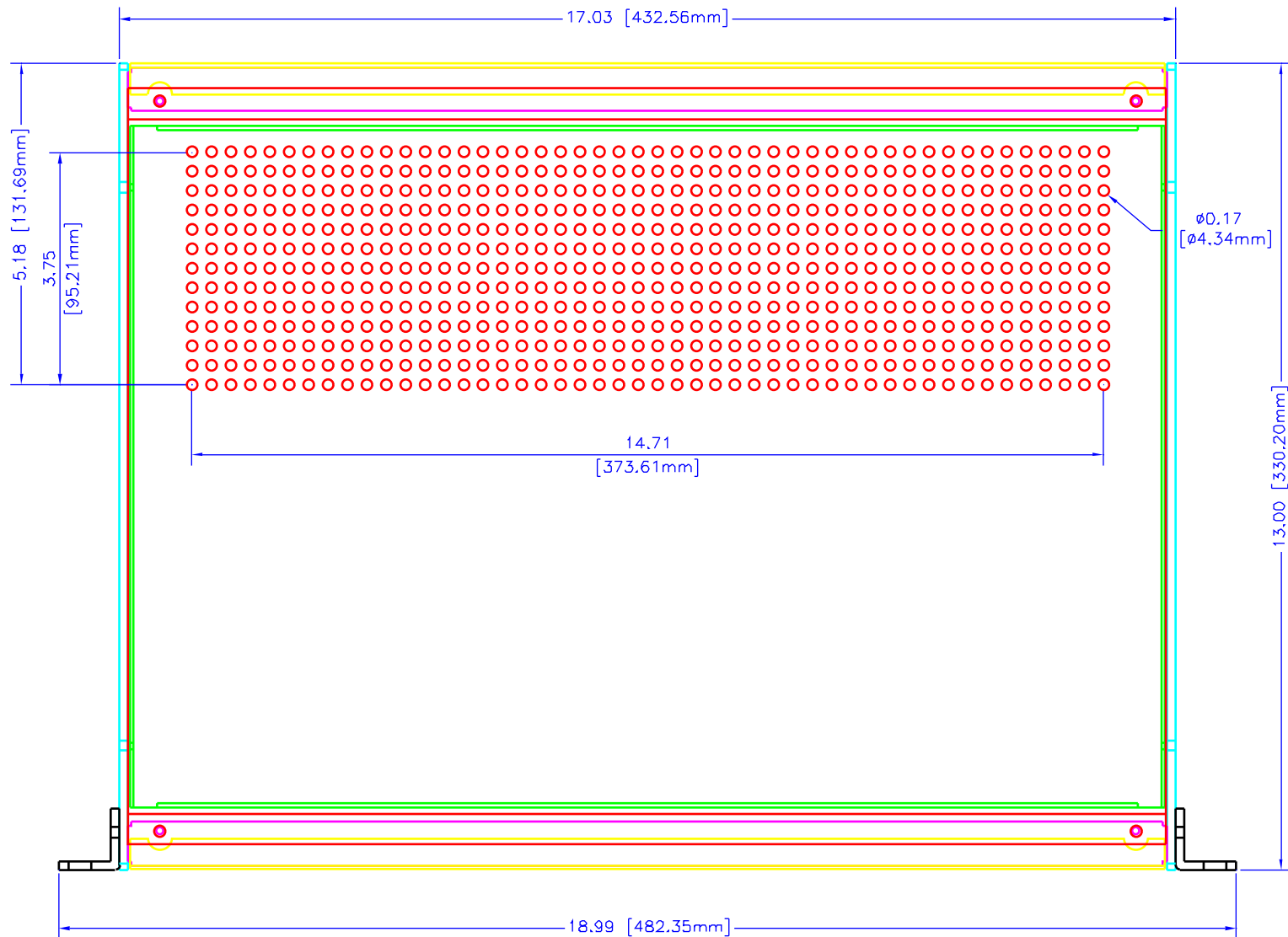
WEB: WWW.HAMMONDMFG.COM

TITLE
HAMMOND RMCV SERIES
RACK ENCLOSURE

| | | | |
|----------|-----|------|---------|
| DRAWN BY | MJM | DATE | 09/9/01 |
| SCALE | | PAGE | 2 OF 3 |

PART NUMBER
RMCV190513

TOP VIEW



UNLESS OTHERWISE SPECIFIED
DIMENSIONS ARE IN INCHES

| | |
|--------|------------|
| X | +/- .1 |
| XX | +/- .02 |
| XXX | +/- .015 |
| CUTS | +/- .003 |
| ANGLES | +/- .5 DEG |

NOTES:
HAMDON CLAIMS PROPRIETARY RIGHTS TO THE MATERIAL ON THIS DRAWING. IT IS INTENDED TO BE USED AS A REFERENCE FOR ENGINEERING INFORMATION ONLY. THIS INFORMATION MAY NOT BE USED TO MANUFACTURE PRODUCT WITHOUT WRITTEN PERMISSION FROM HAMDON MANUFACTURING.



**HAMMOND
MANUFACTURING**

WEB: WWW.HAMMONDMFG.COM

| | | | |
|-------------|-----|---------------------------------------|---------|
| TITLE | | HAMMOND RMCV SERIES RACK ENCLOSURE | |
| DRAWN BY | MJM | DATE | 09/9/01 |
| SCALE | | PAGE | 3 OF 3 |
| PART NUMBER | | RMCV190513 | |